

## Alarm Pressure Switch Riser Bracket for AED Cabinet

For metal wall mount AED cabinets equipped with an audible alarm.

### Advantages

This cabinet pressure switch/riser activates your AED cabinet's alarm and/or strobe light, if equipped, when your AED is removed from the cabinet. And acting as a riser bracket, it raises the AED off the cabinet floor to display it nicely in the cabinet window. The activation switch on the riser lies flat so it does not interfere by tilting the AED on display.

Usually, cabinet alarms are activated when the door is opened. But this convenient optional bracket gives you a great alternative by activating the alarm only when the AED is removed.

### Installation

The quick-connect cord plugs into the alarm in your cabinet in just seconds.

Simply unplug the **door alarm switch wire** on the **left side** of the alarm unit, then plug in the **pressure switch wire** from your new bracket.

Tuck away the door alarm switch wire. If you wish to use the door switch in the future, simply switch the plugs back.

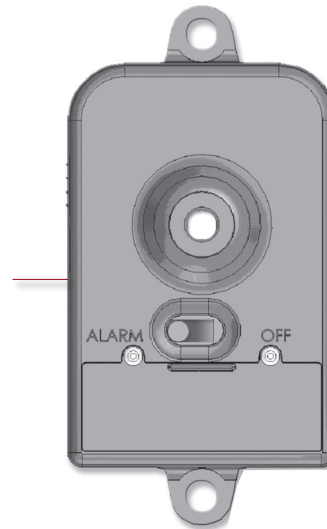
Please note:

- Your present cabinet must contain either an alarm or strobe/alarm combination and be a cabinet model with a part number which starts with "AMP".
- An audible cabinet alarm available from the AEDSuperstore is required. The bracket may not work with other manufacturer or specialty cabinet brands.

Contact us at 800-544-0048 if you need assistance.



The door or pressure switch connection is located on the left side of the alarm unit



Door or pressure switch connection

